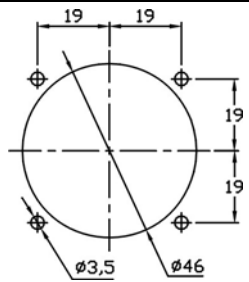




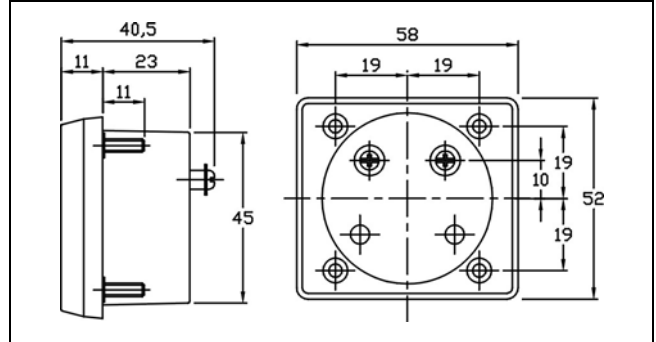
STANDARD

U 系列和薄翼形用表

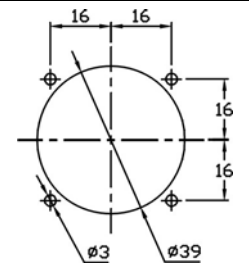
ST-45U



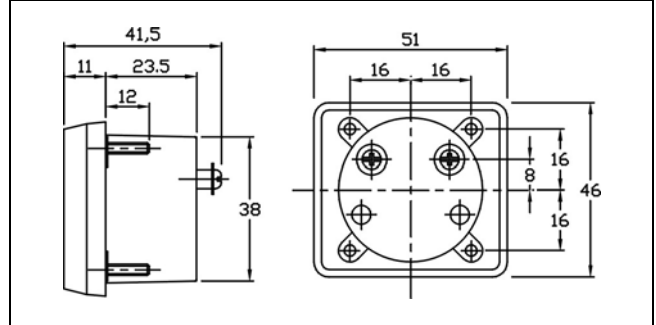
表背開孔尺寸



ST-38U



表背開孔尺寸



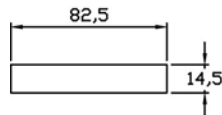
規格：

動圈軸心式

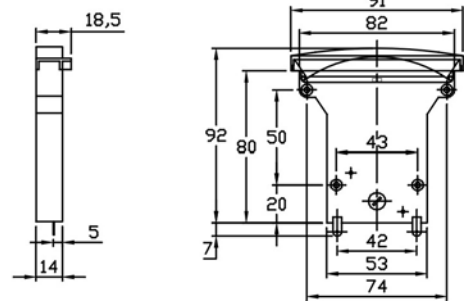
DC mA	DC A	DC V
1	1	5 50
50	5	10 100
100	10	15 150
200	20	20 200
300		30 300
500		

- **材質：** 壓克力蓋，電木底
- **準確度：** 2.0 級
- **顏色：** 黑色底，刻度板白底黑字
- **指針：** 管狀，橙紅色

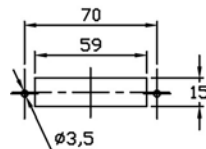
ST-90E



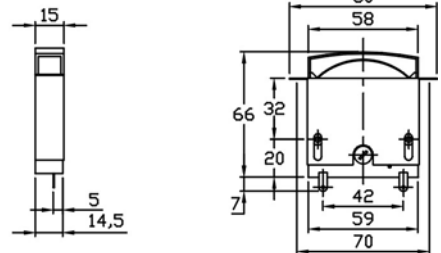
表背開孔尺寸



ST-58E



表背開孔尺寸



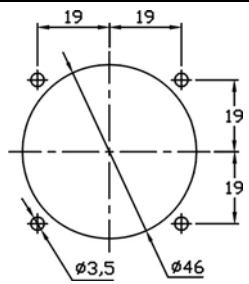
- **表頭：** 吊線式防震表頭
- **準確度：** 2.5 級
- **固定：** 水平或垂直方式
- **指針：** 管狀，橙紅色
- **指示角度：** 60°
- **感度：** 滿刻度 1mA DC



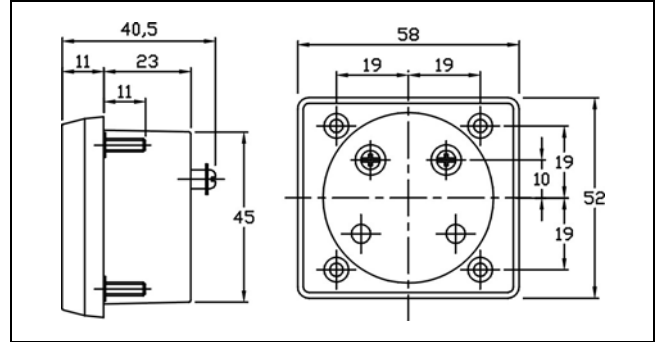
STANDARD

U Series & Thin Edgewise

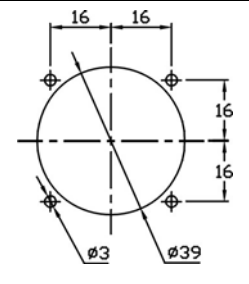
ST-45U



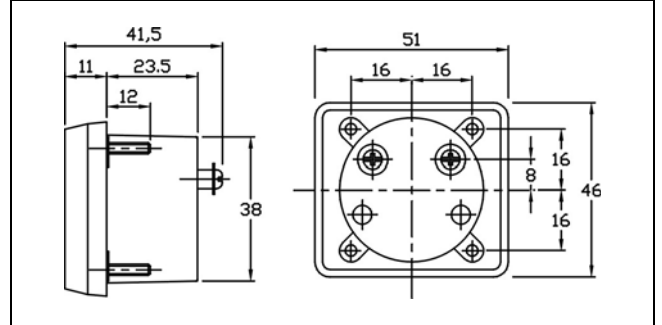
PANEL CUT-OUT



ST-38U



PANEL CUT-OUT



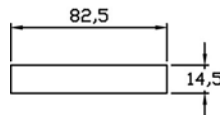
Measuring Ranges :

Moving Coil Type

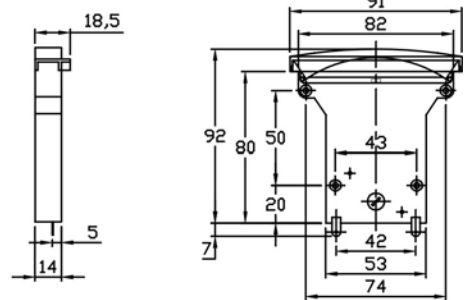
DC mA	DC A	DC V
1	1	5 50
50	5	10 100
100	10	15 150
200	20	20 200
300		30 300
500		

- **Case And Composition :** Acrylic resin front and bakelite case
Four stud mounting
- **Accuracy :** Class 2.0
- **Color :** Black case and white scale plate
- **Pointer :** Tube type color in red

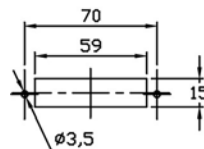
ST-90E



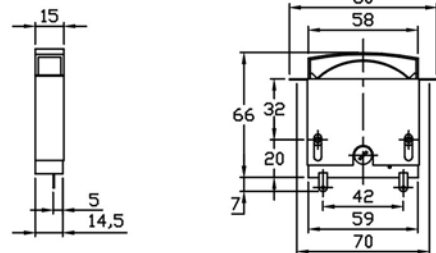
PANEL CUT-OUT



ST-58E



PANEL CUT-OUT



- **Movement :** Taut Band suspension type.
- **Accuracy :** ± 2.5%
- **Mounting :** Horizontal or Vertical
- **Pointer :** Tube (Red)
- **Full Scale Deflection :** 60°
- **Measuring Range :** F.S. 1mA DC. Customer's specs are available