

肘形端頭相序計

CABLE PHASING METER

用途

4183 CP用來量測高壓電源設備的肘形端子，可以安全而快速的測知電壓，並瞭解相位的狀況，由電力保養或測試技術人員使用。量測時，它必須以測試棒接觸肘形端子內的電容測試點，應用電容值換算電壓值。

特點

- 低壓量測、安全性高
- 可量測系統電壓。
- 直接接觸量測電壓，不可超過交流電壓300V。
- 可檢測纜線接點相位。
- 具電源能量指示。
- 使用乾電池操作。
- 手提式外盒，堅固耐用、具保護功能。
- 適合屋內、屋外使用。
- 是肘形端子接頭最佳量測儀器。



CE

4183 CP

安規

符合 EN 61000-3-2+A14+A1+A2

EN 61000-3-3

EN 61326-1+A1

EN 61000-4-4

EN 55011+A1+A2

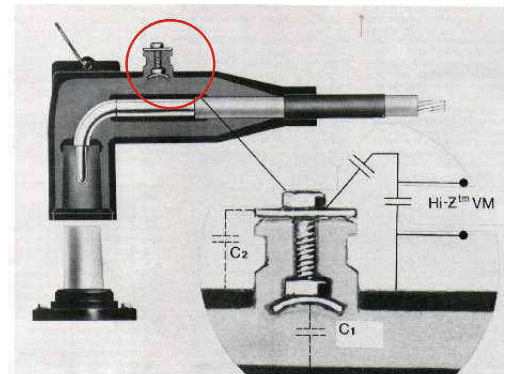
EN 61000-4-5

EN 61000-4-2

EN 61000-4-6

EN 61000-4-3

EN 61000-4-11



規格

電壓量測檔位	0 ~ 16 kV 0 ~ 32 kV
準確度	± 8%
電容值範圍	0.4 ~ 3.2 pF
使用頻率	50 / 60 Hz
使用電源	1.5V(SUM-3)*4 (顆)
尺寸	250(長)*190(寬)*110(高)公厘
重量	約1420g (含電池)
附件	專用測線*2 (條)、說明書*1 (本)

PHASE SEQUENCE INDICATOR



CE

4183 CP

The **4183 CP** is a Cable Phasing Meter that offers a quick method of measuring voltage and determining phase rotation of underground distribution systems using the capacitive test point of elbow connectors. Most manufacturers of high voltage cable terminations incorporate capacitive test points in their elbow connectors. These test points are designed for measuring purposes.

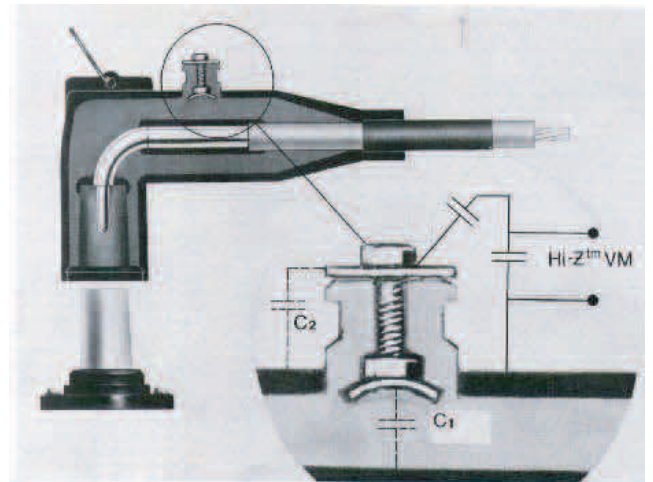
This instrument is battery powered and supplied with a ground and two measuring leads.

FEATURES

- Safe operates at low voltage.
- Measures system voltage.
- Measures capacitance of test point if system voltage is known.
- Checks phase rotation of cables.
- Phases out cables.
- Rugged - comes with portable case.
- Operates from potential test point of elbow connectors.
- Battery operated.
- Meets EN61000-3 EN61000-4
EN61326-1 EN55011

SPECIFICATIONS

Voltage Ranges	0~16kV / 0~32kV
Accuracy	±8% (exclusive of tap capacitance variations)
Tap Capacitance Setting	0.4 to 3.0 pF continuous per channel
Frequency	50 or 60 Hz
Dimensions	250(L) x 190(W) x 110(D)mm
Weight	Approx. 1420g (battery included)
Power Source	1.5V (AA) x 4 Batteries
Accessories	Test Leads Instruction manual Shoulder belt Batteries



Test leads



STANDARD ELECTRIC WORKS CO., LTD.

5F.,NO.105, Jhongcheng Rd., Tucheng Dist.,
New Taipei City 23674, Taiwan (R.O.C.)

TEL: 886-2-22681528 FAX: 886-2-22681529

http://www.51082245.com/sew.htm e-mail: sales@sew.com.tw